



## Damper Accessory Kits

# Table of Contents

This catalog offers damper customers an easy-to-use buying guide for miscellaneous Johnson Controls® damper parts. The damper part prices in this catalog include freight charges within the contiguous 48 states. Refer to the table of contents below for details on products, pricing, and ordering. If you cannot find the part you need on the following pages, contact your local Johnson Controls representative for additional information.

Miscellaneous parts	3
Jackshaft assembly (detailed graphic)	4
Jackshaft parts descriptions & list prices	5
Jackshaft parts miscellaneous	6
Jackshaft kits	7
Fuse link accessories	8
Miscellaneous blade seals	9
Actuator brackets	10
Blade position indicators	11

The performance specifications are nominal and conform to acceptable industry standards. For applications at conditions beyond these specifications, consult the local Johnson Controls® representative. Johnson Controls® shall not be liable for damages resulting from misapplication or misuse of its products.

\*All stated specifications are subject to change without notice or obligation.

# Miscellaneous Parts

## DMPR-ACC-0001 for rectangular dampers



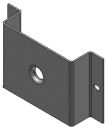
Extended shaft with spring clip  
3/8" square x 3-1/2" long

## DMPR-ACC-0002 for rectangular dampers



Extended shaft  
1/2" diameter x 6" long

## DMPR-ACC-0003 for rectangular dampers



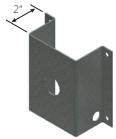
Outboard support bracket  
for extended shaft

## DMPR-ACC-0004 for rectangular dampers



Outboard support bracket  
with bearing for extended shaft

## DMPR-ACC-0005 for rectangular dampers



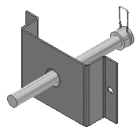
Outboard support bracket for  
extended shaft 2" deep

## DMPR-ACC-0006 for rectangular dampers



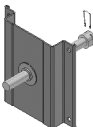
Spring clip for extended shaft

## DMPR-ACC-0007 for rectangular dampers



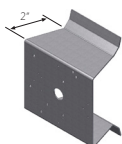
Extended shaft kit includes:  
DMPR-ACC-0002, DMPR-ACC-0003 and  
DMPR-ACC-0006

## DMPR-ACC-0008 for rectangular dampers



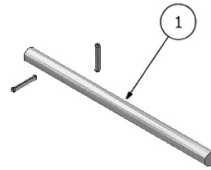
Extended shaft kit with bearing includes:  
ESRDMPR-ACC-0002, DMPR-ACC-0004  
and DMPR-ACC-0006

## DMPR-ACC-0009 for round dampers

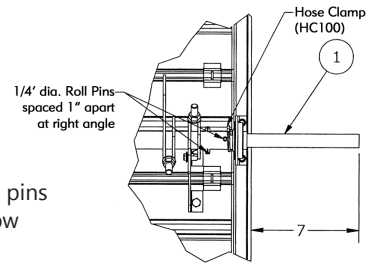


Stand off bracket 2"

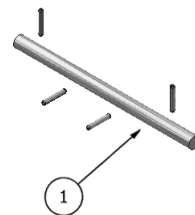
## DMPR-JS-0003 for rectangular dampers



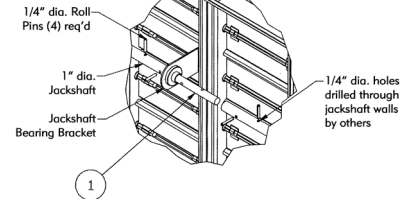
Jackshaft extension  
3/4" diameter x 12" long  
Solid bar includes two roll pins  
Used for 1" diameter hollow  
jackshafts only  
(Holes drilled in field by installer)



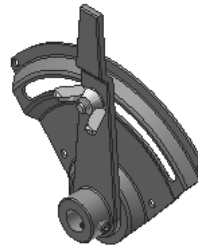
## DMPR-JS-0004 for rectangular dampers



Jackshaft splice  
3/4" diameter x 12" long  
Solid bar includes four roll pins  
(Holes drilled in field by installer)



## DMPR-ACC-0010 for all dampers



Galvanized steel hand quadrant  
for 1/2" diameter shaft

## DMPR-ACC-0011 for all dampers

Stainless steel hand quadrant  
for 1/2" diameter shaft

## DMPR-ACC-0012 for rectangular dampers

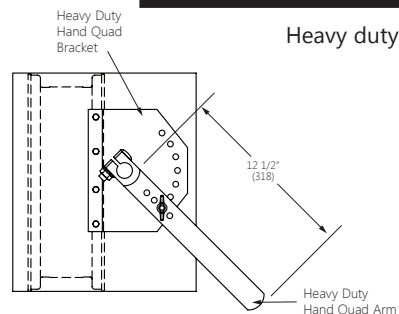
Heavy duty hand quad arm for 1/2" diameter shaft

## DMPR-ACC-0013 for rectangular dampers

Heavy duty hand quad arm for 3/4"  
diameter shaft

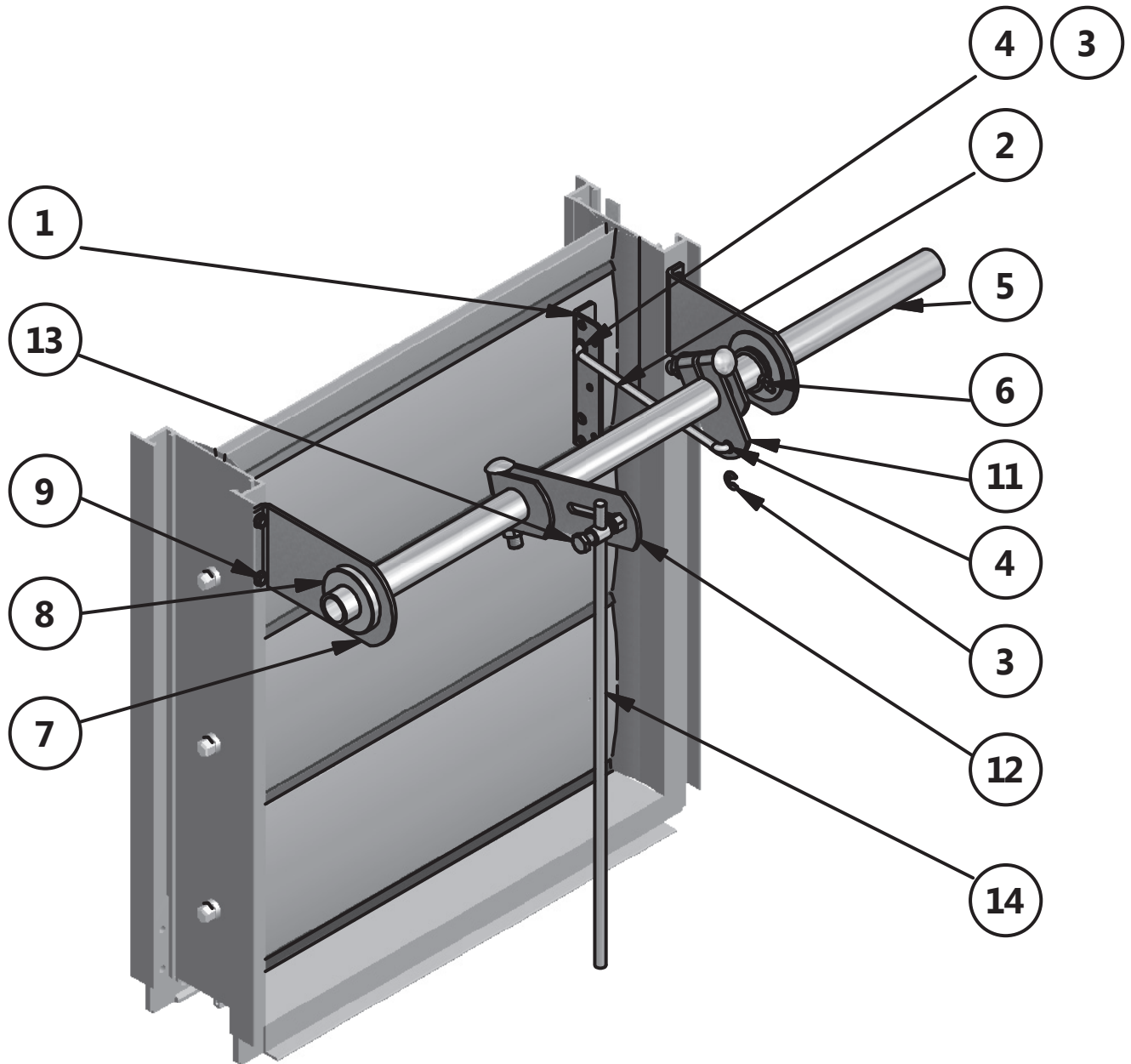
## DMPR-ACC-0014 for rectangular dampers

Heavy duty hand quad arm for 1"  
diameter shaft



\*All stated specifications are subject to change without notice or obligation.

# Jackshaft Assembly



\*All stated specifications are subject to change without notice or obligation.

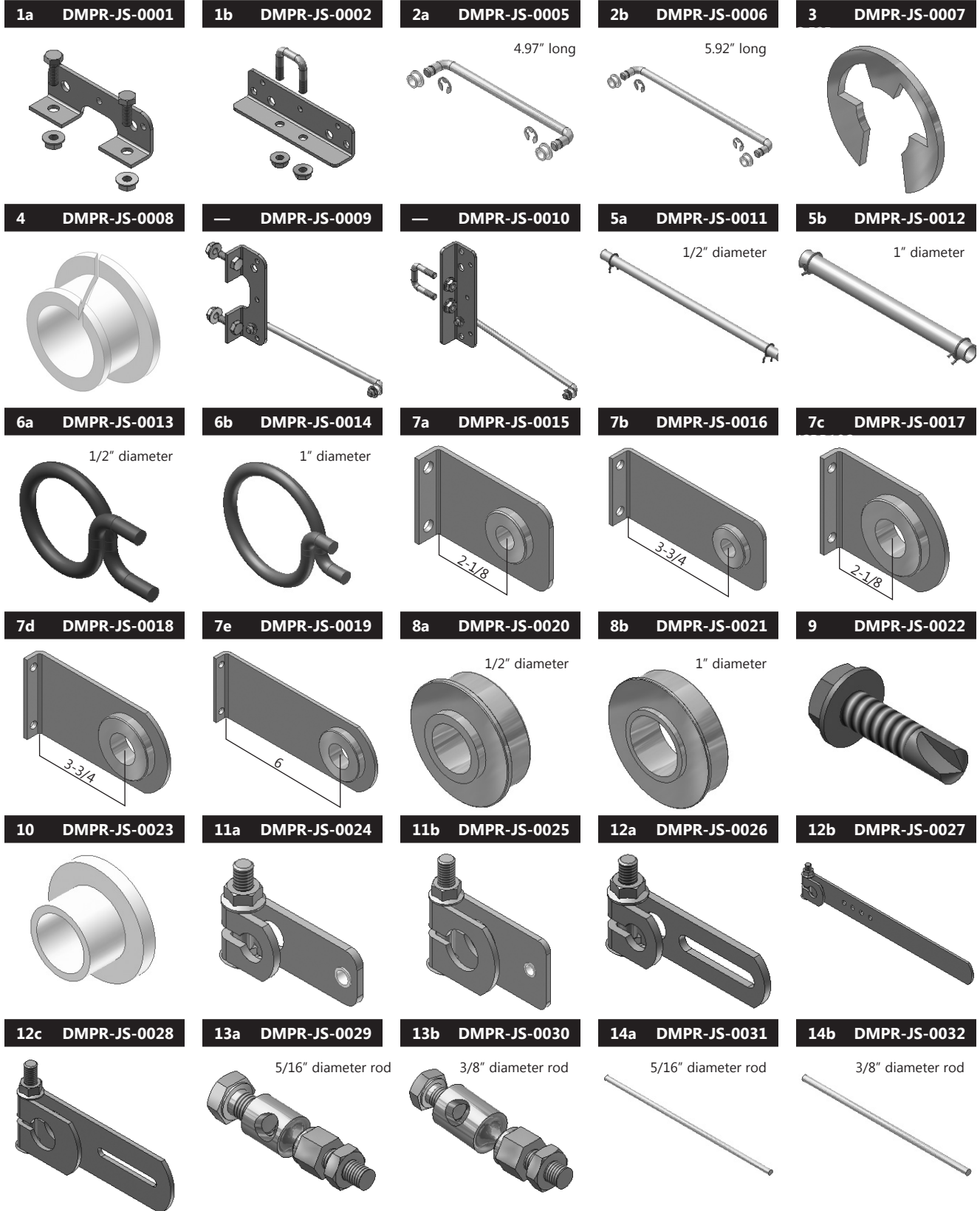
## Jackshaft Parts for Field Installation

Des	Part #	Description
1a	DMPR-JS-0001	Triple V-groove blade bracket (VD-1620 and VD-1640)
1b	DMPR-JS-0002	Airfoil blade bracket (VD-1250, VD-1630, VD-1240 and VD-1251)
2a	DMPR-JS-0005	Tie rod (rectangular)
2b	DMPR-JS-0006	Tie rod 5.92" long (rectangular)
3	DMPR-JS-0007	Roto clip (minimum order of 25 when not purchased with jackshaft kit) (rectangular)
4	DMPR-JS-0008	Nyliner 4L2-FF (minimum order of 25 when not purchased with jackshaft kit (rectangular)
—	DMPR-JS-0009	Triple V-groove blade bracket assembly (includes parts 1a to 4) (VD-1620 and VD-1640)
—	DMPR-JS-0010	Airfoil blade bracket assembly (includes parts 1b to 4) (VD-1250, VD-1630, VD-1240 and VD-1251)
5a	DMPR-JS-0011	Jackshaft 1/2" diameter (rectangular)
5b	DMPR-JS-0012	Jackshaft 1" diameter (rectangular)
6a	DMPR-JS-0013	Hose clamp 1/2" diameter jackshaft HC8 (minimum order of 25 when not purchased as a jackshaft kit) (rectangular)
6b	DMPR-JS-0014	Hose clamp 1" diameter jackshaft HC16 (minimum order of 25 when not purchased as a jackshaft kit) (rectangular)
7a	DMPR-JS-0015	Jackshaft bearing bracket 1/2" short (2-1/8" to centerline of jackshaft) (rectangular)
7b	DMPR-JS-0016	Jackshaft bearing bracket 1/2" tall (3-3/4" to centerline of jackshaft) (rectangular)
7c	DMPR-JS-0017	Jackshaft bearing bracket 1" short (2-1/8" to centerline of jackshaft) (rectangular)
7d	DMPR-JS-0018	Jackshaft bearing bracket 1" tall (3-3/4" to centerline of jackshaft) (rectangular)
7e	DMPR-JS-0019	Jackshaft bearing bracket 1" extra tall (6" to centerline of jackshaft) (rectangular)
8a	DMPR-JS-0020	Kendale bearing 1/2" diameter (rectangular)
8b	DMPR-JS-0021	Kendale bearing 1" diameter (rectangular)
9	DMPR-JS-0022	#10 -16 x 3/4" large TEK screws (minimum order of 25) (rectangular)
10	DMPR-JS-0023	Nylon flange bearing N5389 used only on triple V-groove blade without add-on blade bracket (minimum order of 25 when not purchased as a jackshaft kit) (VD-1620 and VD-1640)
11a	DMPR-JS-0024	Linkage control arm assembly 1/2" diameter (includes DMPR-JS-0023) (rectangular)
11b	DMPR-JS-0025	Linkage control arm assembly 1" diameter (includes DMPR-JS-0023) (rectangular)
12a	DMPR-JS-0026	Crank arm slotted for 1/2" diameter jackshaft (rectangular)
12b	DMPR-JS-0027	Crank arm for 3/4" diameter jackshaft adaptor (rectangular)
12c	DMPR-JS-0028	Crank arm slotted for 1" diameter jackshaft (rectangular)
13a	DMPR-JS-0029	Ball joint for 5/16" diameter pushrod (rectangular)
13b	DMPR-JS-0030	Ball joint for 3/8" diameter pushrod (rectangular)
14a	DMPR-JS-0031	Pushrod 5/16" diameter (rectangular)
14b	DMPR-JS-0032	Pushrod 3/8" diameter (rectangular)

\*These parts are to be used on jackshafts for direct/internally mounted actuators with 1" diameter jackshafts.

\*All stated specifications are subject to change without notice or obligation.

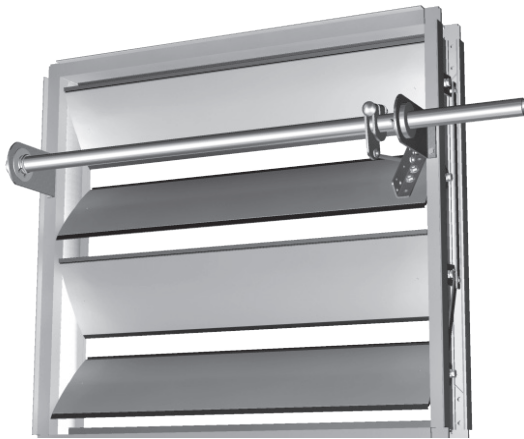
# Miscellaneous Jackshaft Parts



\*All stated specifications are subject to change without notice or obligation.

# Jackshaft Kits

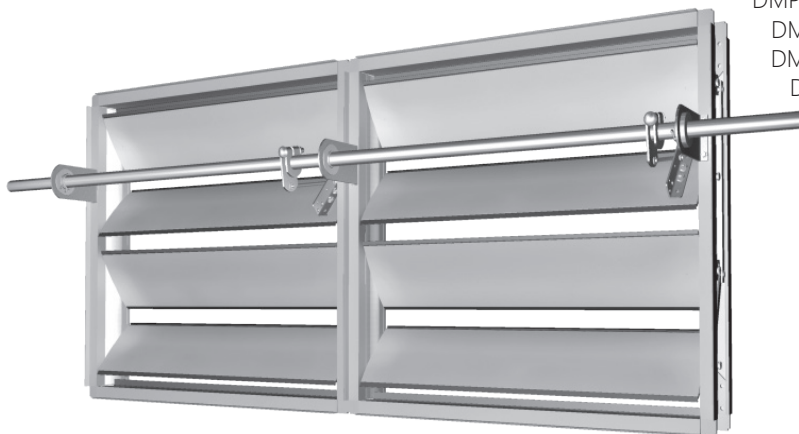
## Single section jackshaft kit



- DMPR-JSKIT-0001 Triple-V blade 1/2" diameter shaft
- DMPR-JSKIT-0002 Airfoil blade 1/2" diameter shaft
- DMPR-JSKIT-0003 Triple-V blade 1" diameter shaft
- DMPR-JSKIT-0004 Airfoil blade 1" diameter shaft

**Note:**  
Jackshaft is 66" long.

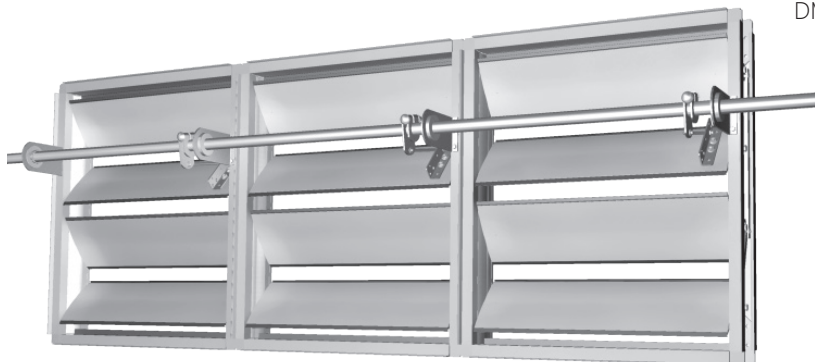
## Two section jackshaft kit



- DMPR-JSKIT-0005 Triple-V blade 1/2" diameter shaft
- DMPR-JSKIT-0006 Airfoil blade 1/2" diameter shaft
- DMPR-JSKIT-0007 Triple-V blade 1" diameter shaft
- DMPR-JSKIT-0008 Airfoil blade 1" diameter shaft

**Note:**  
Jackshaft is 108" long.

## Three section jackshaft kit



- DMPR-JSKIT-0009 Triple-V blade 1" diameter shaft
- DMPR-JSKIT-0010 Airfoil blade 1" diameter shaft

**Note:**  
Jackshaft is 156" long.  
Three section kit not available with 1/2" diameter jackshaft.

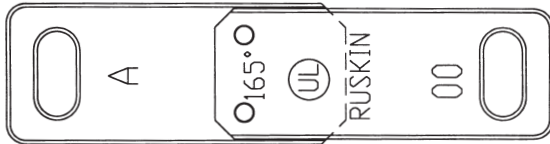
\*All stated specifications are subject to change without notice or obligation.

# Fuse Link Accessories

Specify 165°F, 212°F, or 285°F (74°C, 100°C or 141°C)

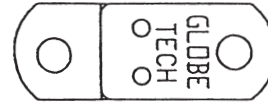
**DMPR-FL-0001, DMPR-FL-0002 and DMPR-FL-0003**

**Issue A link**



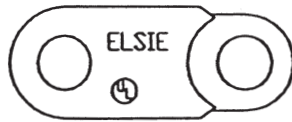
**DMPR-FL-0004, DMPR-FL-0005 and DMPR-FL-0006**

**Issue J link**



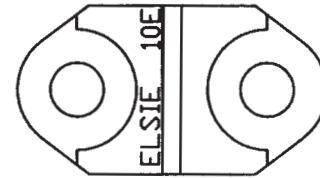
**DMPR-FL-0007, DMPR-FL-0008 and DMPR-FL-0009**

**Issue B link**



**DMPR-FL-0010, DMPR-FL-0011 and DMPR-FL-0012**

**Issue E link**

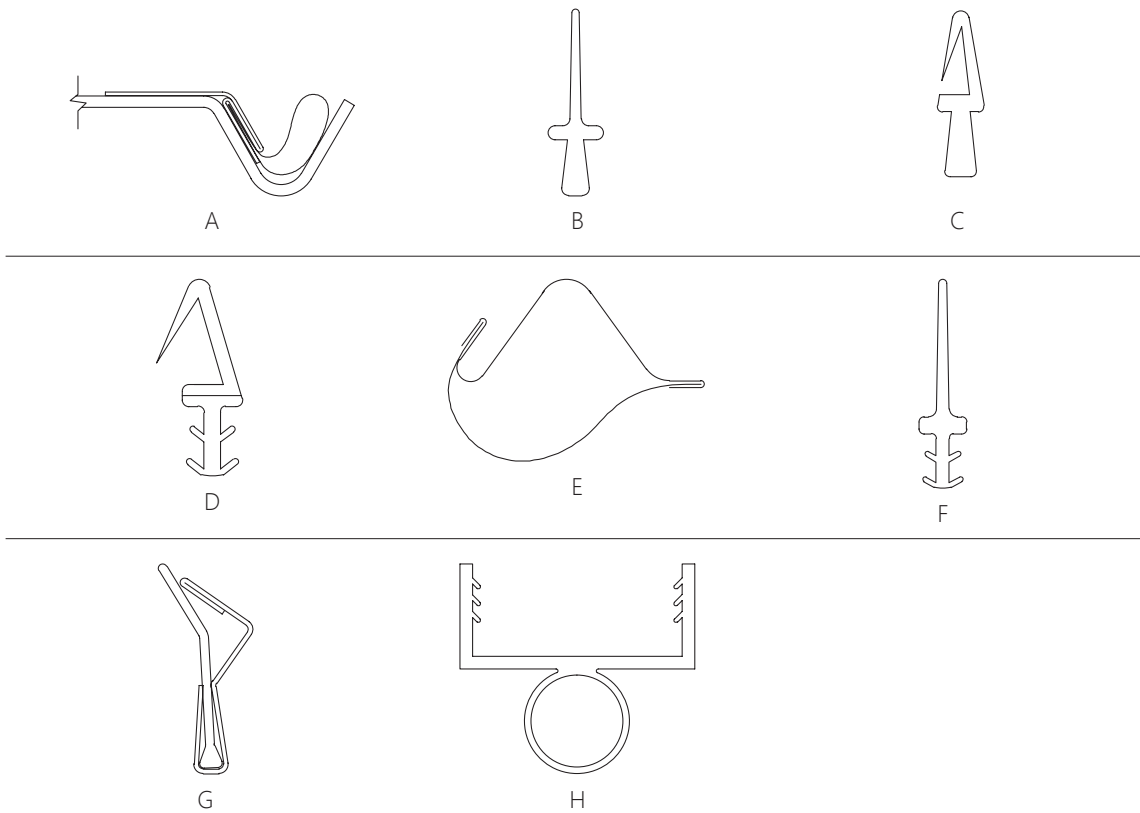


Part #	Description	Damper model applies to
DMPR-FL-0001	165°F A style fuse link	FC-2000 & FC-2000D
DMPR-FL-0002	212°F A style fuse link	FC-2000 & FC-2000D
DMPR-FL-0003	285°F A style fuse link	FC-2000 & FC-2000D
DMPR-FL-0004	165°F J style fuse link	No JCI model
DMPR-FL-0005	212°F J style fuse link	No JCI model
DMPR-FL-0006	285°F J style fuse link	No JCI model
DMPR-FL-0007	165°F B style fuse link	RF-2000
DMPR-FL-0008	212°F B style fuse link	RF-2000
DMPR-FL-0009	285°F B style fuse link	RF-2000
DMPR-FL-0010	165°F E style fuse link	FD-1600
DMPR-FL-0011	212°F E style fuse link	FD-1600
DMPR-FL-0012	285°F E style fuse link	FD-1600

\*All stated specifications are subject to change without notice or obligation.



# Miscellaneous Blade Seals & Blade Stop Replacements

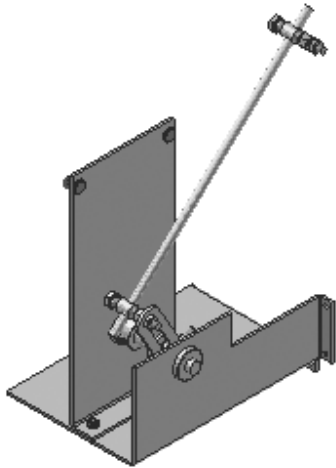


Des	Part #	Description
A	DMPR-BS-0001	PVC coated fiberglass seal for VD-1620
E	DMPR-BS-0002	Silicone coated fiberglass seal for VD-1620
C	DMPR-BS-0003	Santoprene for parallel and opposed blade VD-1630
C	DMPR-BS-0004	Silicone for parallel and opposed blade VD-1630
F	DMPR-BS-0005	Santoprene blade stop for VD1240, VD-1241, VD-1250 and VD-1630
C	DMPR-BS-0006	Santoprene for parallel and opposed blade VD-1240, VD-1241 and VD-1250
D	DMPR-BS-0007	Santoprene for parallel and opposed blade VD-1251TI and VD-1251BF
B	DMPR-BS-0008	Santoprene blade stop seal for VD-1251TI and VD-1251BF
H	DMPR-BS-0009	Vinyl trim blade seal for VD-1251TI and VD-1251BF
C	DMPR-BS-0010	Silicone parallel and opposed blade for VD-1250
B	DMPR-BS-0011	Silicone blade stop seal for VD-1250
G	DMPR-BS-0012	Blade stop for opposed and parallel VD-1630 with silicone seals

\*All stated specifications are subject to change without notice or obligation.

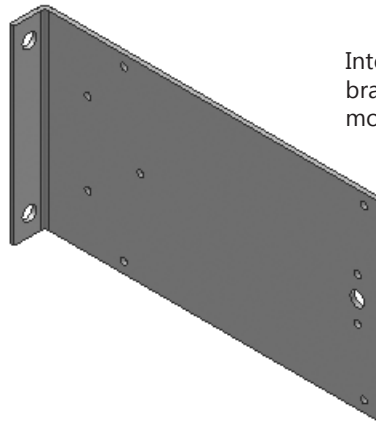
# Actuator Brackets

**DMPR-BRKT-0001**



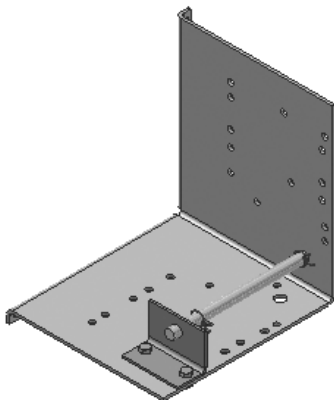
Internal mount bracket for H2000, H2024, MS8209, MS4209 actuators

**DMPR-BRKT-0002**



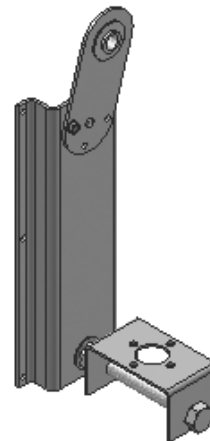
Internal mount bracket for direct mount actuators

**DMPR-BRKT-0003**



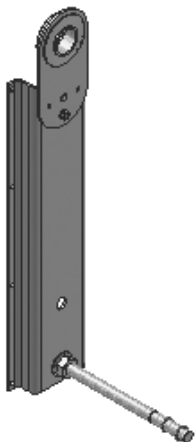
Internal mount bracket for 331-4827, 331-2961, 331-3060 pneumatic actuators

**DMPR-BRKT-0004**



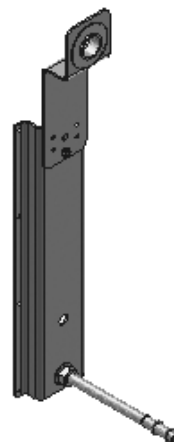
External mount bracket for 331-4827 pneumatic actuators

**DMPR-BRKT-0005**



External mount bracket for 331-2961 pneumatic actuators

**DMPR-BRKT-0006**

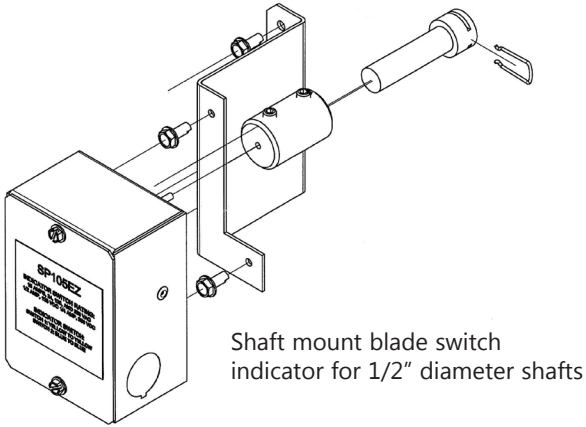


External mount bracket for 331-3060 pneumatic actuators

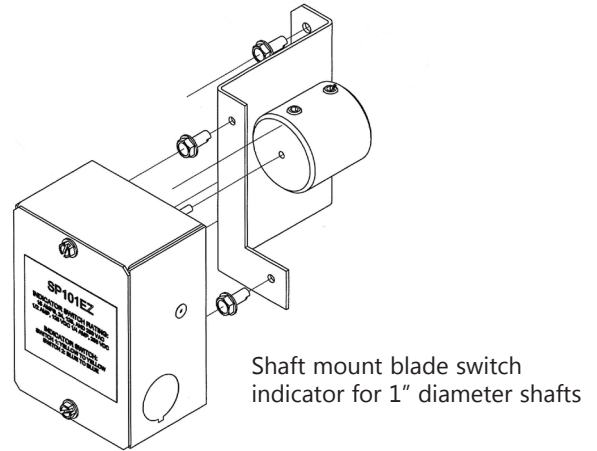
\*All stated specifications are subject to change without notice or obligation.

# Blade Position Indicators

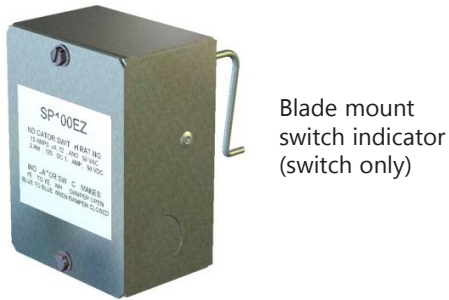
DMPR-BPI-0002



DMPR-BPI-0003



DMPR-BPI-0004



DMPR-BPI-0005



\*All stated specifications are subject to change without notice or obligation.



Building Technologies & Solutions  
507 E . Michigan Street, Milwaukee, WI 53202

*Metasys ® and Johnson Controls ® are registered trademarks of Johnson Controls  
All other marks herein are the marks of their respective owners. © 2017 Johnson Controls*